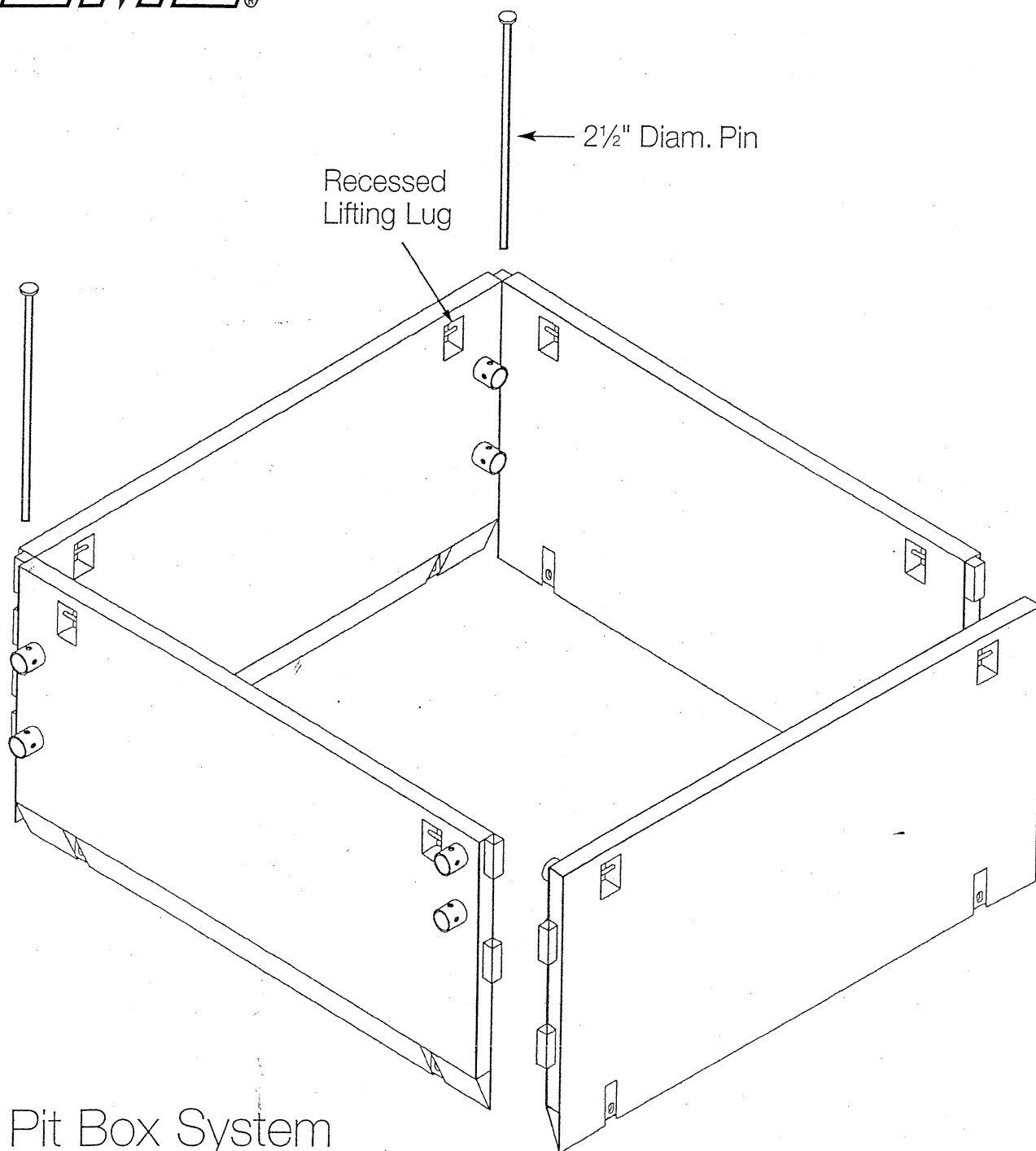


# GME®



## Pit Box System

### Installation Notes:

Assemble system as shown.

Use recessed lifting lugs to lower assembly into trench.

If shields are to be stacked, lift only one set of shields at a time.

### 4-SIDED PIT SHIELDS

GME has recently been involved in some projects where standard or slightly modified trench shield sidewalls were used to create 4-sided square "pit shields" to meet customer needs for worker protection in pit-type excavations.

This application of our products is ideal for your customers who are involved in well drilling, shafts, tank installation or removal, placing of mechanical or electrical vaults, installation or maintenance of gas line junction boxes, or similar projects requiring pits.

GME can provide square or rectangular pit shields up to 20' x 20'. Be on the lookout for this type of application, as it can be an additional source of business for you and GME.

