

GME VERTICAL SHORES INSTALLATION

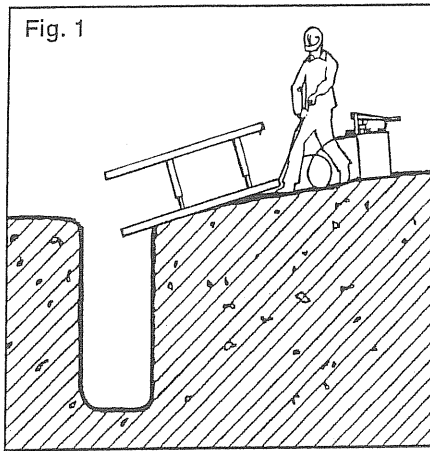


Fig. 1

STEP ONE

Place the shore at the lip of the trench with approximately 12" overhanging the edge in the upright and open position. (See Fig. 1). Place the pump bucket alongside of the shore.

STEP TWO

Open the 1/4 turn valve on the pump bucket and connect the quick disconnect fitting on the hose from the pump bucket to the male fitting on the shore. Close the 1/4 turn valve on the pump bucket.

STEP THREE

Place the release tool through the handle of the bottom rail with the hook in position to catch the handle when the shore is lowered into the trench.

STEP FOUR

Grab the handle on the top rail and pull toward you causing the shore to collapse.

STEP FIVE

Lower the shore into the trench allowing the hook to support the weight.

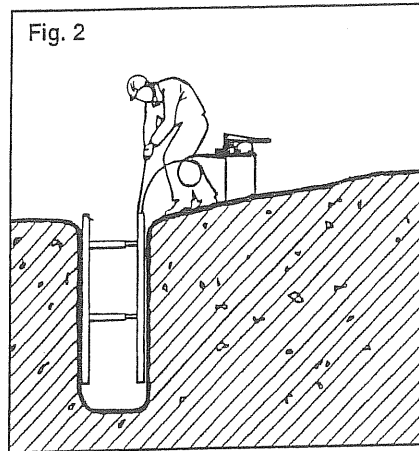


Fig. 2

STEP SIX

Release the handle of the top rail allowing the shore to completely unfold into an open and locked position. (See Fig. 2)

STEP SEVEN

Hold the shore at the proper height. Start pumping the handle of the pump bucket until you have reached a minimum of 750 psi on the gauge.

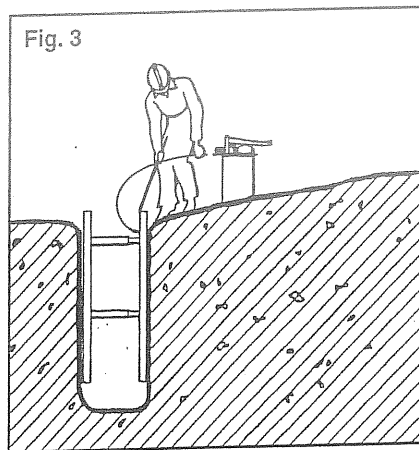


Fig. 3

STEP EIGHT

Disconnect the hose from the shore by positioning the release tool flange behind the collar of the quick disconnect fitting using the hook as a pivot point. (See Fig. 3) Pull the tool toward yourself causing the hose to release from the shore. This completes the installation procedure.

REMOVAL

STEP ONE

Begin removal by placing release tool through handle of shore. (See Fig. 4) Turn tool so that hook will catch handle when pressure is released. Position cupped end of release tool over the male fitting.

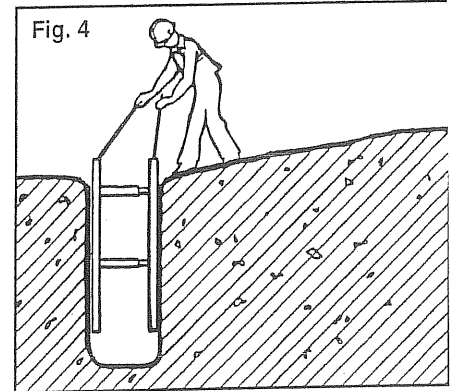


Fig. 4

STEP TWO

Place the removal hook through the other handle of the shore.

STEP THREE

Begin to push the handle of the release tool away from you using the handle as a leverage point. At the same time that you push the release tool start pulling the removal hook back toward yourself. **CAUTION:** This will cause a small amount of fluid to be released from the fitting on the shore. Care should be taken to avoid being sprayed by the fluid. Also, the release of pressure could cause unstable ground to begin to move. Care should be used to release the pressure in small amounts.

STEP FOUR

Remove the shore from the trench by pulling on the removal hook causing the shore to collapse and using the release tool to assist in pulling the shore from the trench. (See Fig. 5) The shore is now ready to be used for its next application.

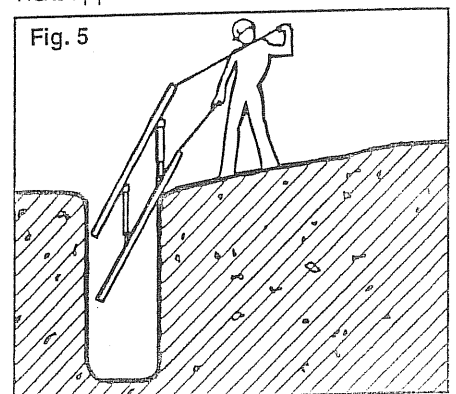


Fig. 5

GME

GRISWOLD MACHINE & ENGINEERING, INC.

"The Trench Shield Specialists"

594 W. Highway M-60, Union City, MI 49094

717-741-4200 • 800-249-2054 • Fax 517-741-7483